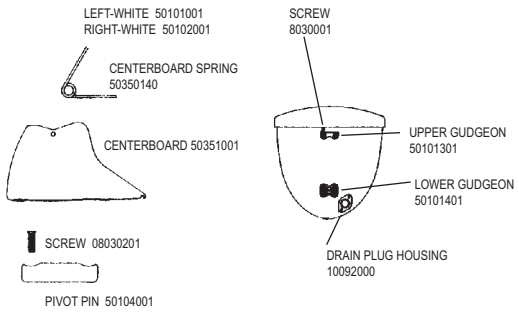


Blank Page

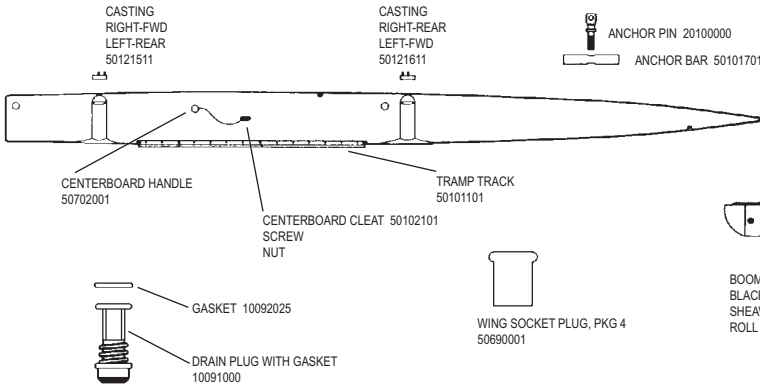
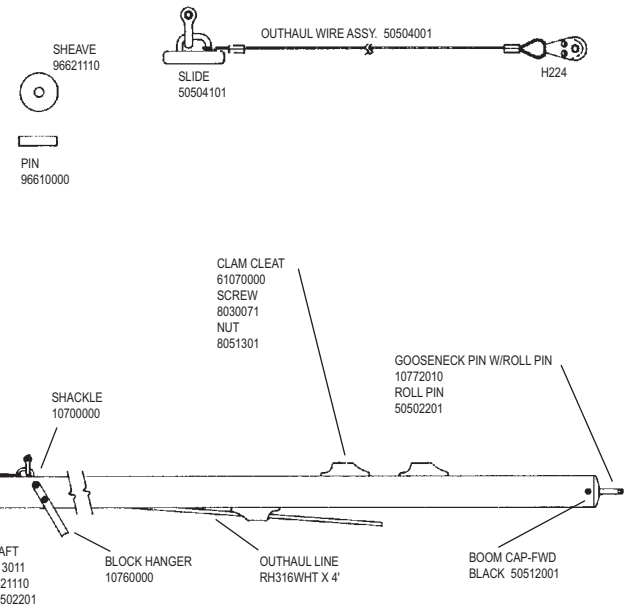
(for page alignment only)

H17 HULL/DECK

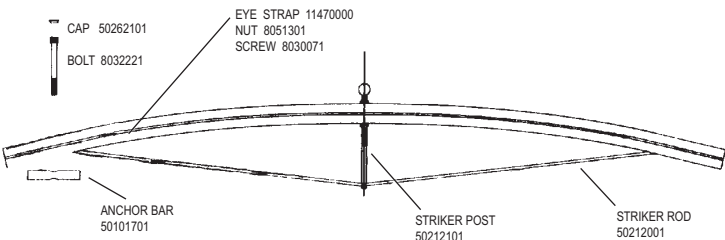
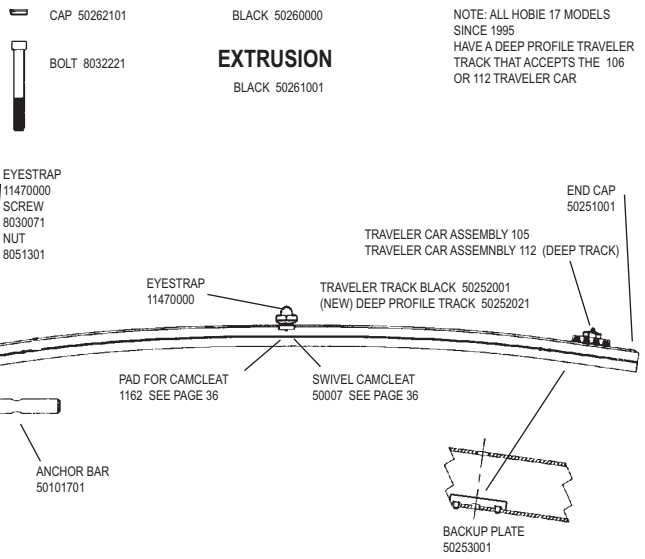


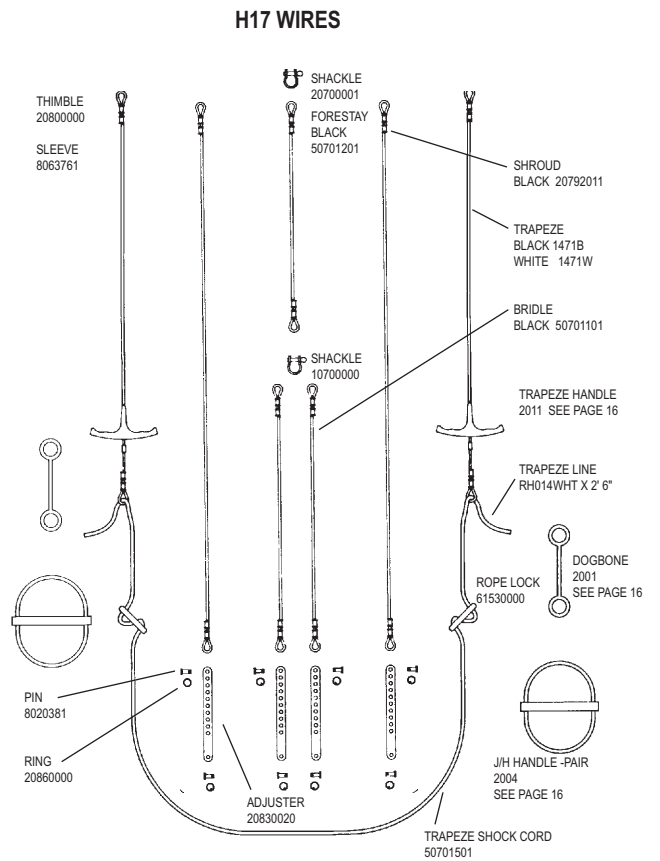
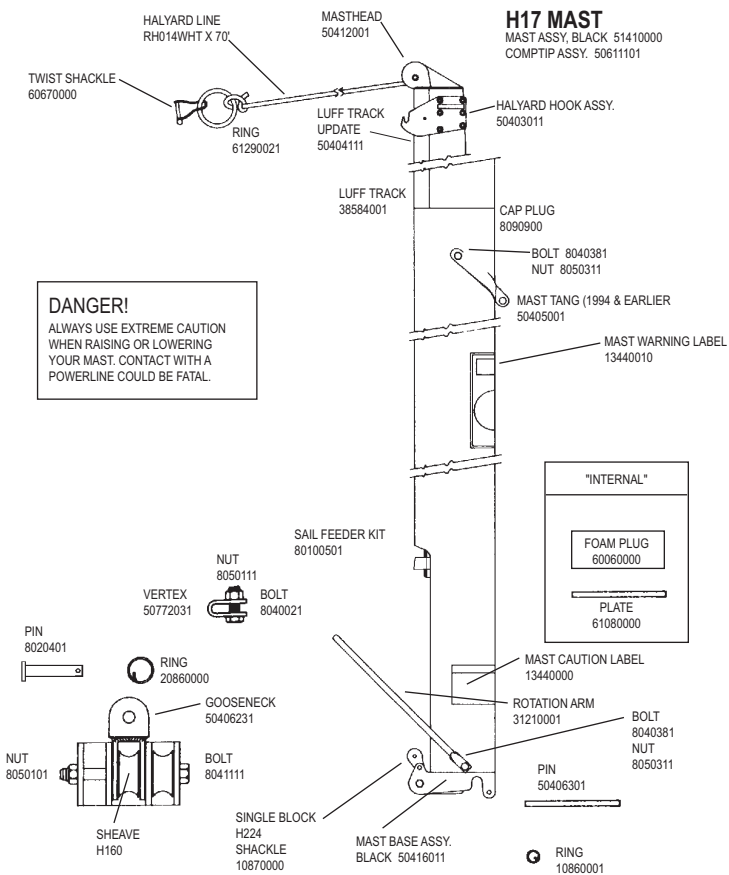
H17 BOOM

BLACK 50510000



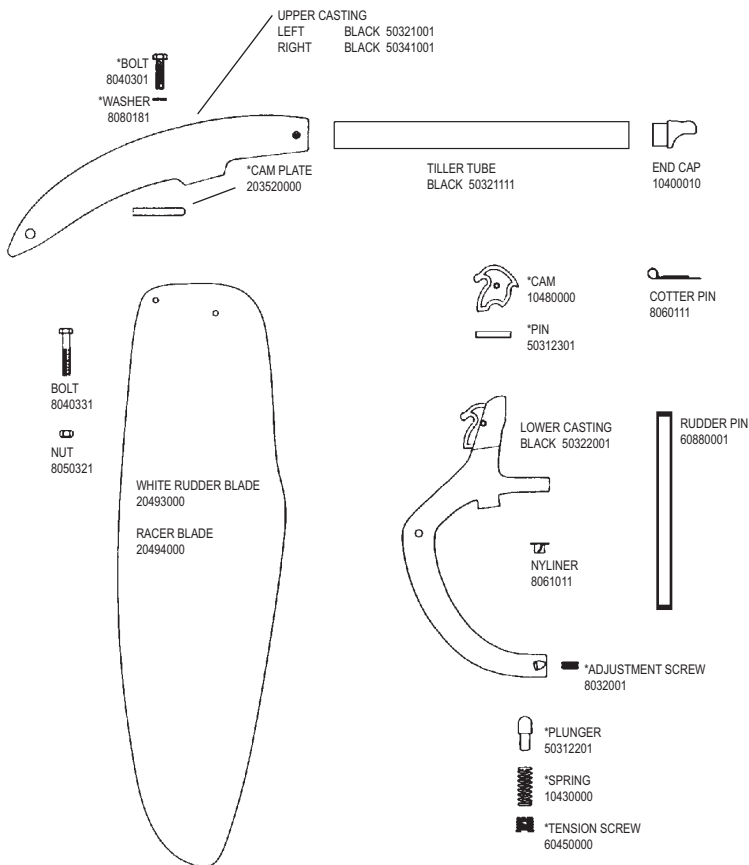
H17 REAR CROSSBAR ASSEMBLY



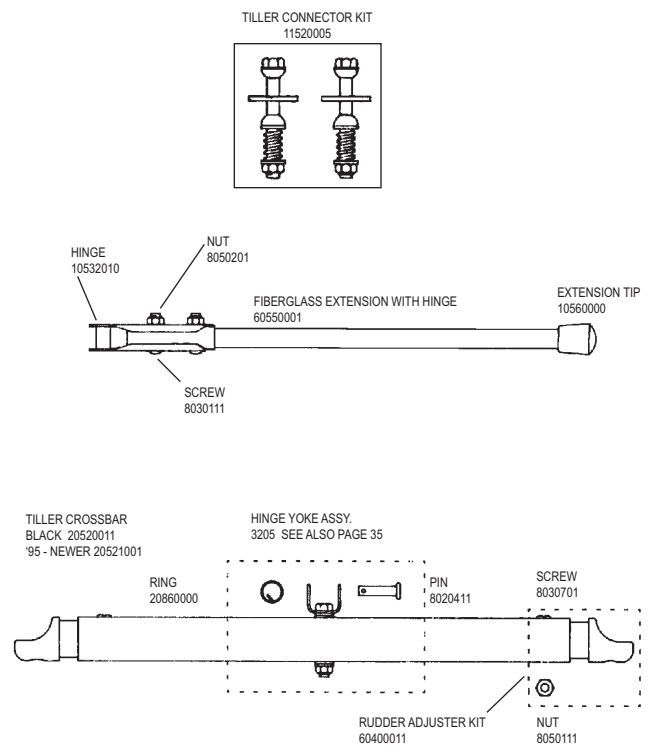


H17 RUDDER ASSEMBLY

* = SUB ASSEMBLY PART / INCLUDED WITH CASTING



H17 TILLER

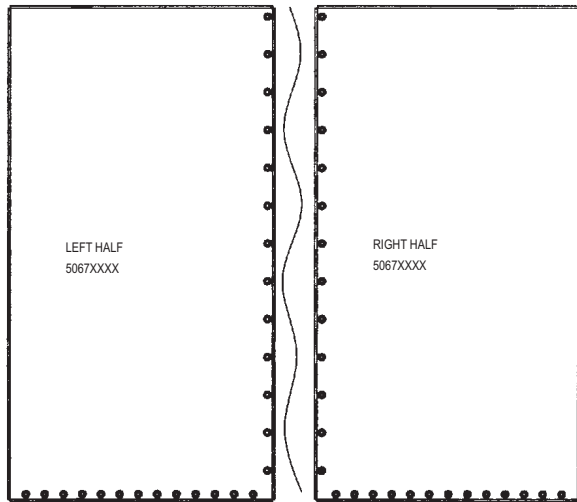


H17 TRAMPOLINE

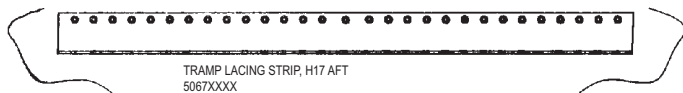
COMPLETE TRAMPOLINES (Does not include lace line)

- WHITE 50670000
- BLACK MESH 50670091
- TEAL MESH 50670056
- BLUE MESH 50670057

CENTER LACING RH014 WHT X 20'



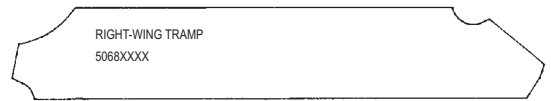
AFT LACING RH014 WHT X 15' - 2 RQD



TRAMP LACING STRIP, H17 AFT
5067XXXX

H17 WINGS

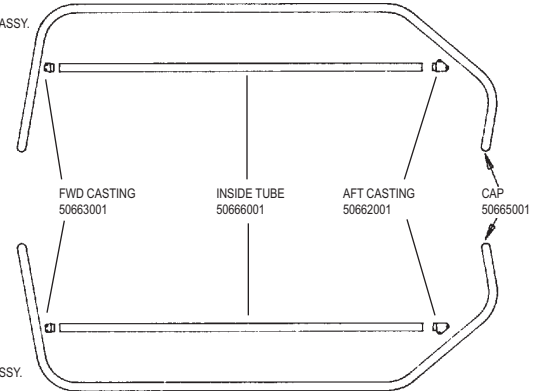
SET W/O TRAMPOLINES 50650000



WING TRAMP SET

- WHITE 50650100
- BLUE MESH 50650957
- BLACK MESH 50650900
- TEAL MESH 50650956

RIGHT-WING ASSY.
50680001



LEFT-WING ASSY.
50660001



LEFT-WING TRAMP
5066XXXX

H17 SAIL

HEAD PLATE-SET
68330011

TELL TALE
335 SEE PAGE 28

LOGO
BLACK 12430011
WHITE 12430001

BATTEN POCKET
PROTECTOR KIT
80550005

MAIN SAIL
5299XXXX
SEE SEQUENTIAL PARTS LIST OR
SAIL COLOR SELECTION SHEET, PAGE 22

CLASS INSIGNIA
50991700

TWIST SHACKLE
60670000

DOUBLE BLOCK
H226

MAINSHEET
RM038XXX X 46'

CAM
H150

FAIRLEAD
11470000

CLEW PLATE-PAIR
62270000

- | | | |
|----|-------|----------|
| #0 | WHITE | 12700000 |
| #0 | BLACK | 12700030 |
| #1 | WHITE | 12710000 |
| #1 | BLACK | 12710030 |
| #2 | WHITE | 12720000 |
| #2 | BLACK | 12720030 |
| #3 | WHITE | 12730000 |
| #3 | BLACK | 12730030 |
| #4 | WHITE | 12740000 |
| #4 | BLACK | 12740030 |
| #5 | WHITE | 12750000 |
| #5 | BLACK | 12750030 |
| #6 | WHITE | 12760000 |
| #6 | BLACK | 12760030 |
| #7 | WHITE | 12770000 |
| #7 | BLACK | 12770030 |
| #8 | WHITE | 12780000 |
| #8 | BLACK | 12780030 |

DOWNHAUL LINE
RH316WHT X 5'

SAIL BAG
21310000

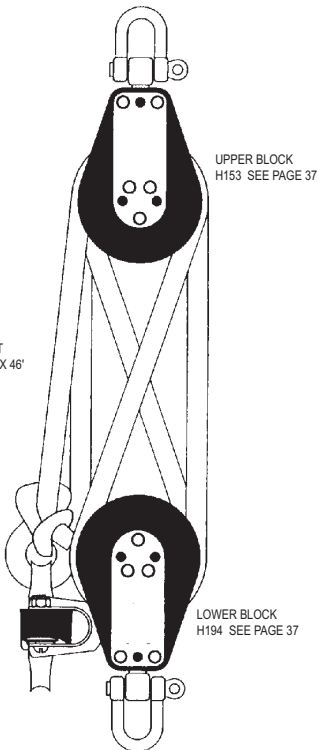
BATTEN TIE
RH112WHT X 18"



- | | |
|-------------------|-------------------|
| '94/OLDER SPORT | NEWER SPORT/SE |
| BATTEN #6 36 1/2" | BATTEN #6 36 1/2" |
| BATTEN #5 51 3/4" | BATTEN #5 51 3/4" |
| BATTEN #4 74" | BATTEN #4 74" |
| BATTEN #3 85 1/8" | BATTEN #3 86 1/4" |
| BATTEN #2 90 5/8" | BATTEN #2 93 1/4" |
| BATTEN #1 89" | BATTEN #1 94 3/4" |

50703201 HOBIE 17 BATTEN SET
(FOR INDIVIDUAL BATTENS SEE UNIVERSAL BATTENS ON PAGE 27)

H17 BLOCK SET



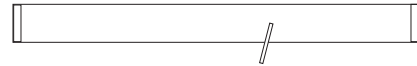
H17 Rivet Guide

() indicates quantity needed to fasten part

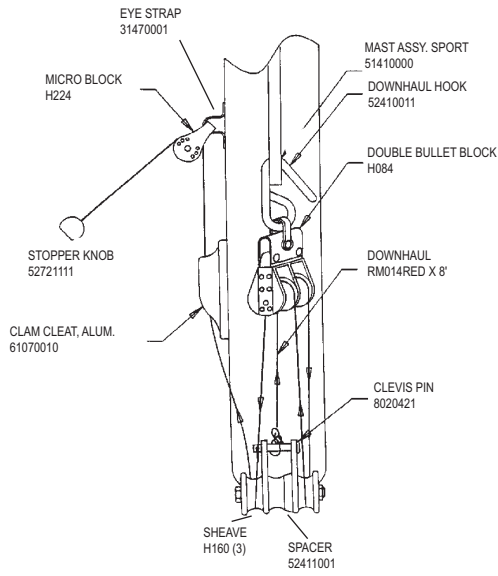
Mast	
Head	8010131 (2)
Halyard Hook	8011231 (3)
Base	8010131 (2)
Rear Crossbar	
Swivel Jammer	8010201 (1)
	8031501 (2)
	8031231 (2)
	8080011 (1)
	8050801 (1)
Dead Eye	8010181 (4)
Back Up Plate	8010201 (4)
Hull	
Trampoline Track	8010121 (9)
(backup washers required on above.61360000)	
Boom	
End Cap (gooseneck)	8010131 (2)
Block Hanger	8010181 (4)
End Cap	8010131 (2)
Rudder (Upper Casting)	
Casting	8011231 (4)
End Cap	8010131 (2)
Sail Hardware	
Headboard	8010020 (16)
Main Clew Plate	8010020 (10)
Batten Pocket	8010020 (4)
Jib Clew Plate	8010020 (8)
(above rivets require setting machine which is not available in a hand tool)	
Wing	
End Cap	8010051 (1)
Castings	8010131 (8)
Forward Cross Bar - Sport	
Swivel Cam Cleats	8010131 (4)



To order from your nearest HOBIE dealer call
1 (800) HOBIE-49
www.hobiecat.com

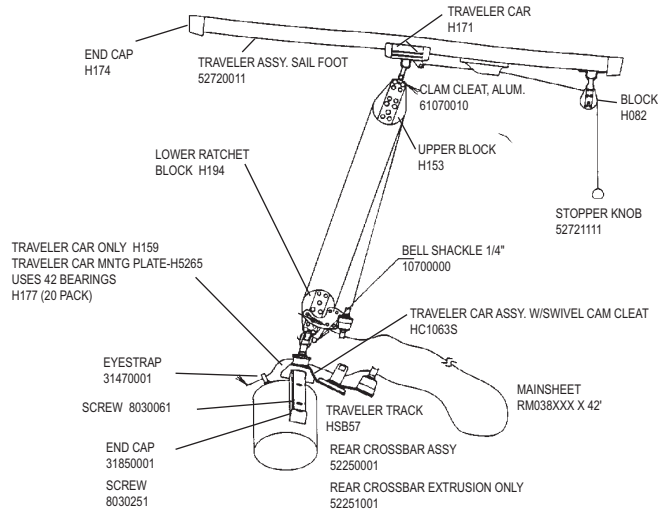


H17 SPORT MAST ASSY. & DOWNHAUL

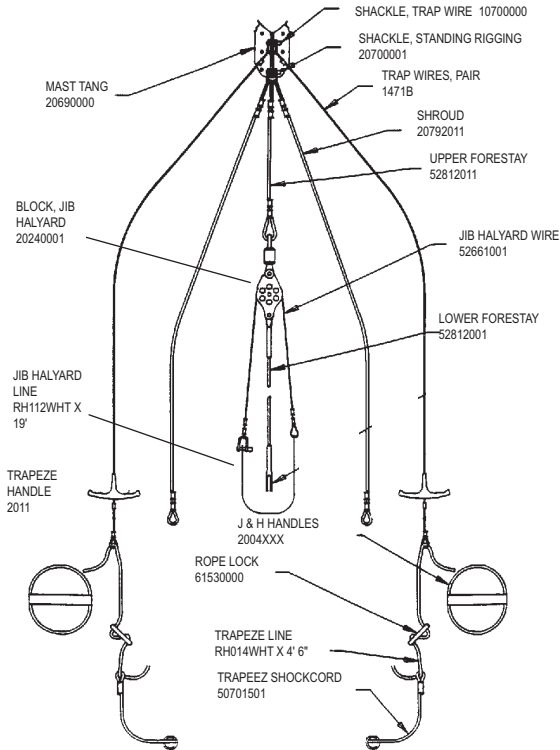


NOTE: WHERE A SPECIFIC ITEM IS NOT IDENTIFIED, USE THE STANDARD HOBBIE 17 LINE DRAWINGS.

H17 SPORT REAR CROSSBAR, MAINSHEET SYSTEM AND OUTHAUL SYSTEM-1994 AND EARLIER



H17 SPORT STANDARD RIGGING

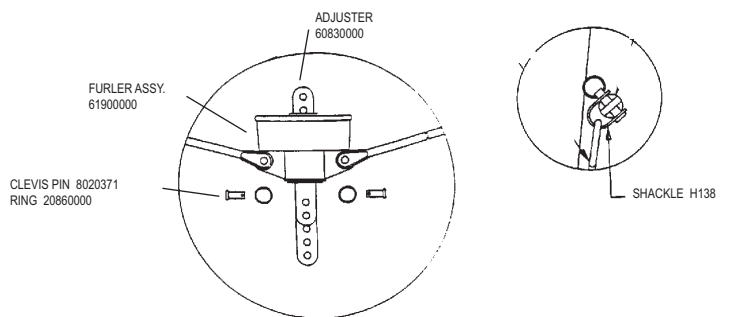


COMPLETE BATTEN SET 50703201

BATTENS

H17 SPORT SPREADER POLE & FURLER

SPDR BAR END CAP (PLASTIC) 52009001
 SPDR POLE END CAP CASTING 52502021
 SPDR POLE YOKE ASSY 52503001



H17 SPORT FRONT CROSSBAR

